

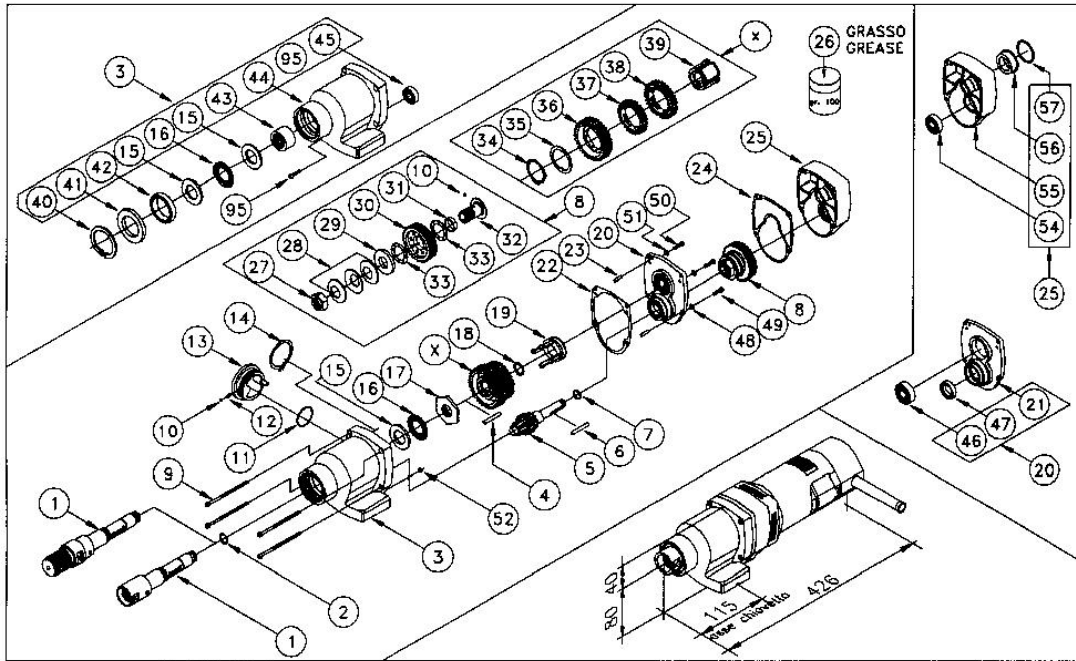
CARDI TALPA T1

R3101/ 1	00310006360	SPINDLE TALPA T1 REF.502283
R3101/ 2	00310005593	O-RING 2050 832351 REF.500034
R3101/ 3	00310007401	LOWER GEARBOX ASSY TALPA T1 RF.502168
R3101/ 4	00310023554	PIN FOR DIAMANT5/TALPA T1/T2 REF.500106
R3101/ 5	00310002061	PLEASE CONTACT AFTER SALES SERVICE
R3101/ 6	00310002061	PLEASE CONTACT AFTER SALES SERVICE
R3101/ 7	00310006157	O-RING 108 DIA.1,2,6,T2,T4,T9 REF.500335
R3101/ 8	00310002061	PLEASE CONTACT AFTER SALES SERVICE
R3101/ 9	00310007811	SCREW CARDI REF.502288
R3101/ 10	00310005451	BALL DIAMANT 2
R3101/ 11	00310005089	O-RING 2112 CARDI REF.500100
R3101/ 12	00310005102	SPRING CARDI RF.500120
R3101/ 13	00310007246	SPEED SELECTOR TALPA T1-T2 RF.502251
R3101/ 14	00310005820	CIRCLIP CARDI RF.500099
R3101/ 15	00310005452	WASHER TALPA T1-T2 REF.500317
R3101/ 16	00310005453	BEARING AXK2542 SKF
R3101/ 17	00310007318	NUT SW46 TALPA T1 RF.502207
R3101/ 18	00310002061	PLEASE CONTACT AFTER SALES SERVICE
R3101/ 19	00310006982	SPEED SELECTOR FORK T1-T2 RF.502037
R3101/ 20	00310002061	PLEASE CONTACT AFTER SALES SERVICE
R3101/ 21	00310002061	PLEASE CONTACT AFTER SALES SERVICE
R3101/ 22	00310006361	GASKET CARDI REF.502174
R3101/ 23	00310005595	PIN DIA.5MM REF.500046
R3101/ 24	00310006362	GASKET TALPA T1-T2 REF.502031
R3101/ 25	00310002061	PLEASE CONTACT AFTER SALES SERVICE
R3101/ 26	00310002061	PLEASE CONTACT AFTER SALES SERVICE
R3101/ 27	00310002061	PLEASE CONTACT AFTER SALES SERVICE
R3101/ 28	00310002061	PLEASE CONTACT AFTER SALES SERVICE
R3101/ 29	00310002061	PLEASE CONTACT AFTER SALES SERVICE
R3101/ 30	00310002061	PLEASE CONTACT AFTER SALES SERVICE
R3101/ 31	00310007512	RING TALPA T1-T2 REF 502220
R3101/ 32	00310002061	PLEASE CONTACT AFTER SALES SERVICE
R3101/ 33	00310006363	FRICTION WASHER CARDI REF.502203
R3101/ 34	00310015504	CIRCLIPS TALPA T2 POS.34 REF.501450
R3101/ 35	00310012275	WASHER TALPA T9 REF.501308
R3101/ 36	00310015506	GEAR TALPA T2 POS.36 REF.502041
R3101/ 37	00310015507	GEAR TALPA T2 POS.37 REF.502040
R3101/ 38	00310015508	GEAR TALPA T2 POS.38 REF.502039
R3101/ 39	00310015509	SOCKET TALPA T2 POS.39 REF.502038
R3101/ 40	00310034103	CIRCLIPS TALPA 1 MAN RF.502211
R3101/ 41	00310007370	SEAL RING TALPA T1-T2 REF.502209
R3101/ 42	00310007319	SEAL RING TALPA T1-T2 RF.502210
R3101/ 43	00310031298	BEARING TALPA 2 POS.43 REF.500319
R3101/ 44	00310002061	PLEASE CONTACT AFTER SALES SERVICE
R3101/ 45	00310031297	BEARING TALPA 2 POS.45 REF.500323
R3101/ 46	00310015543	BEARING TALPA BT600 (502407)POS.121
R3101/ 47	00310005454	GASKET CARDI 832644 REF.500200
R3101/ 48	00310002061	PLEASE CONTACT AFTER SALES SERVICE
R3101/ 49	00310002061	PLEASE CONTACT AFTER SALES SERVICE
R3101/ 50	00310002061	PLEASE CONTACT AFTER SALES SERVICE
R3101/ 51	00310002061	PLEASE CONTACT AFTER SALES SERVICE
R3101/ 54	00310005733	BEARING 6000-ZZ SKF (DK34) 6060002

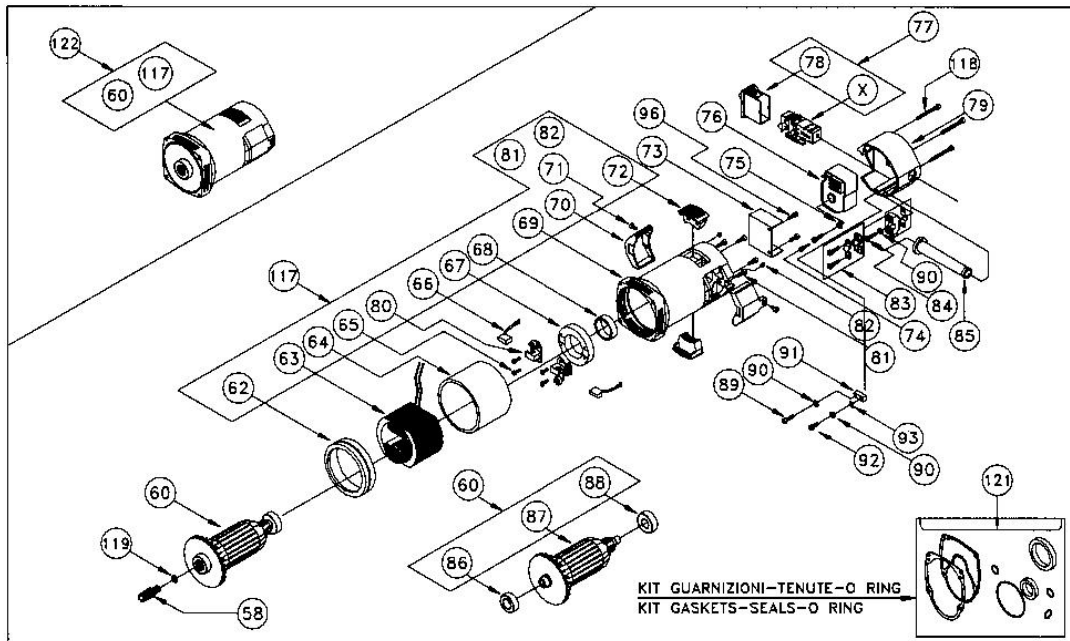
R3101/ 55	00310002061	PLEASE CONTACT AFTER SALES SERVICE
R3101/ 56	00310006714	SEAL RING CARDI REF.501821
R3101/ 57	00310005549	GASKET CARDI REF.278635/500245
R3102/ 58	00310006364	GEAR WHEEL CARDI REF.502249
R3102/ 60	00310006365	ROTOR COMPLETE TALPA T1 REF.502189
R3102/ 62	00310007706	FAN BAFFLE+RING CARDI RF.502120.1
R3102/ 63	00310006366	STATOR TALPA T1 REF.502184
R3102/ 64	00310007247	INSULATING RING FOR STATOR T1 RF.502121
R3102/ 65	00310002061	PLEASE CONTACT AFTER SALES SERVICE
R3102/ 66	00310006351	CARBON BRUSH CARDI REF.500938 CARBON BRUSHES SUPPORT CARDI REF.501331
R3102/ 67	00310024544	REF.501331
R3102/ 68	00310047190	ISOLATING RING T4 CARDI REF.501869
R3102/ 69	00310002061	PLEASE CONTACT AFTER SALES SERVICE
R3102/ 70	00310007510	BRUSH PROTECTOR CARDI REF.502124
R3102/ 71	00310007511	SCREW CARDI RF.502278
R3102/ 72	00310002061	PLEASE CONTACT AFTER SALES SERVICE
R3102/ 73	00310023545	LED WITH INTERF. FILTER TAL.T1 RF.502228
R3102/ 74	00310007259	SCREW CARDI REF.501858
R3102/ 75	00310002061	PLEASE CONTACT AFTER SALES SERVICE
R3102/ 76	00310023545	LED WITH INTERF. FILTER TAL.T1 RF.502228
R3102/ 77	00310006367	SWITCH COMPLETE TALPA T1+T2 REF.501169
R3102/ 78	00310006368	FLEXIBLE CAP FOR SWITCH CARDI RF.501756
R3102/ 79	00310002061	PLEASE CONTACT AFTER SALES SERVICE
R3102/ 80	00310007728	BRUSH HOLDER CARDI REF.500940
R3102/ 81	00310002061	PLEASE CONTACT AFTER SALES SERVICE
R3102/ 82	00310002061	PLEASE CONTACT AFTER SALES SERVICE
R3102/ 83	00310002061	PLEASE CONTACT AFTER SALES SERVICE
R3102/ 84	00310007813	SCREW CARDI REF.502280
R3102/ 85	00310006686	CABLE PROTECTOR CARDI REF.501157
R3102/ 86	00310005141	BALL BEARING 6202-ZZ
R3102/ 87	00310002061	PLEASE CONTACT AFTER SALES SERVICE
R3102/ 88	00310007088	BEARING FOR ROTOR CARDI REF.501750
R3102/ 89	00310002061	PLEASE CONTACT AFTER SALES SERVICE
R3102/ 90	00310002061	PLEASE CONTACT AFTER SALES SERVICE
R3102/ 91	00310002061	PLEASE CONTACT AFTER SALES SERVICE
R3102/ 92	00310002061	PLEASE CONTACT AFTER SALES SERVICE
R3102/ 93	00310002061	PLEASE CONTACT AFTER SALES SERVICE
R3102/ 96	00310002061	PLEASE CONTACT AFTER SALES SERVICE
R3103/100	00310002061	PLEASE CONTACT AFTER SALES SERVICE
R3103/101	00310002061	PLEASE CONTACT AFTER SALES SERVICE
R3102/104	00310002061	PLEASE CONTACT AFTER SALES SERVICE
R3103/106	00310047222	RUBBER PROTECTOR PRCD CARDI REF.501906
R3103/107	00310002061	PLEASE CONTACT AFTER SALES SERVICE
R3103/108	00310005253	WASHER B5 DIN127 CARDI RF.832364
R3103/109	00310005587	WATER CONNECTOR CARDI REF.501626
R3103/110	00310005266	O-RING CARDI 832650 REF.500098
R3103/112	00310005964	WATERHOSE CARDI REF.500508
R3103/113	00310005965	GASKET FOR HOSE CARDI REF.500509
R3103/114	00310005966	WATER TAP DIAMANT 3,4,5
R3103/115	00310006210	WATER CONNECTOR CARDI REF.500511
R3103/116	00310005101	WATER CONNECTOR CARDI REF.832347
R3102/117	00310006369	STATOR COMPLETE TALPA T1 REF.502285
R3102/118	00310002061	PLEASE CONTACT AFTER SALES SERVICE

R3102/119 00310002061 PLEASE CONTACT AFTER SALES SERVICE
 R3103/120 00310074134 WATERHOSE COMPL.TALPA REF.502403
 R3102/121 00310002061 PLEASE CONTACT AFTER SALES SERVICE
 R3102/122 00310007760 ROTOR + FIELD ASSY TALPA REF.502698

R3101



R3102



R3103

